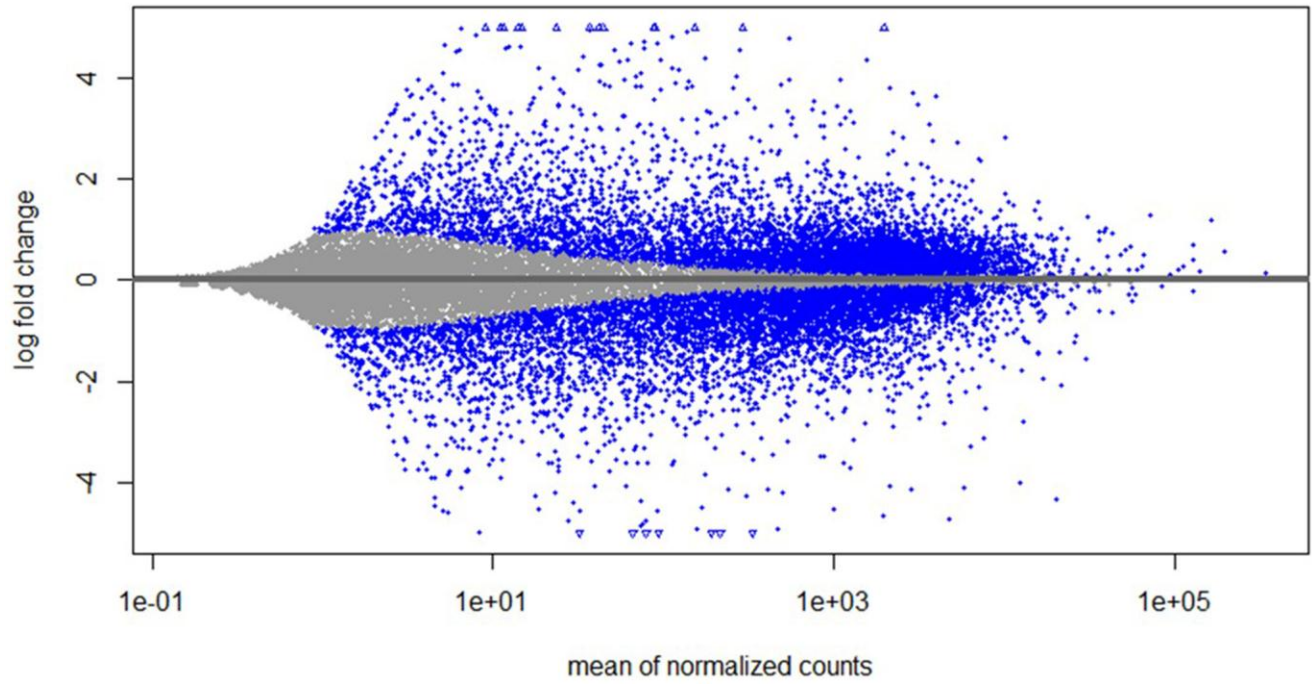
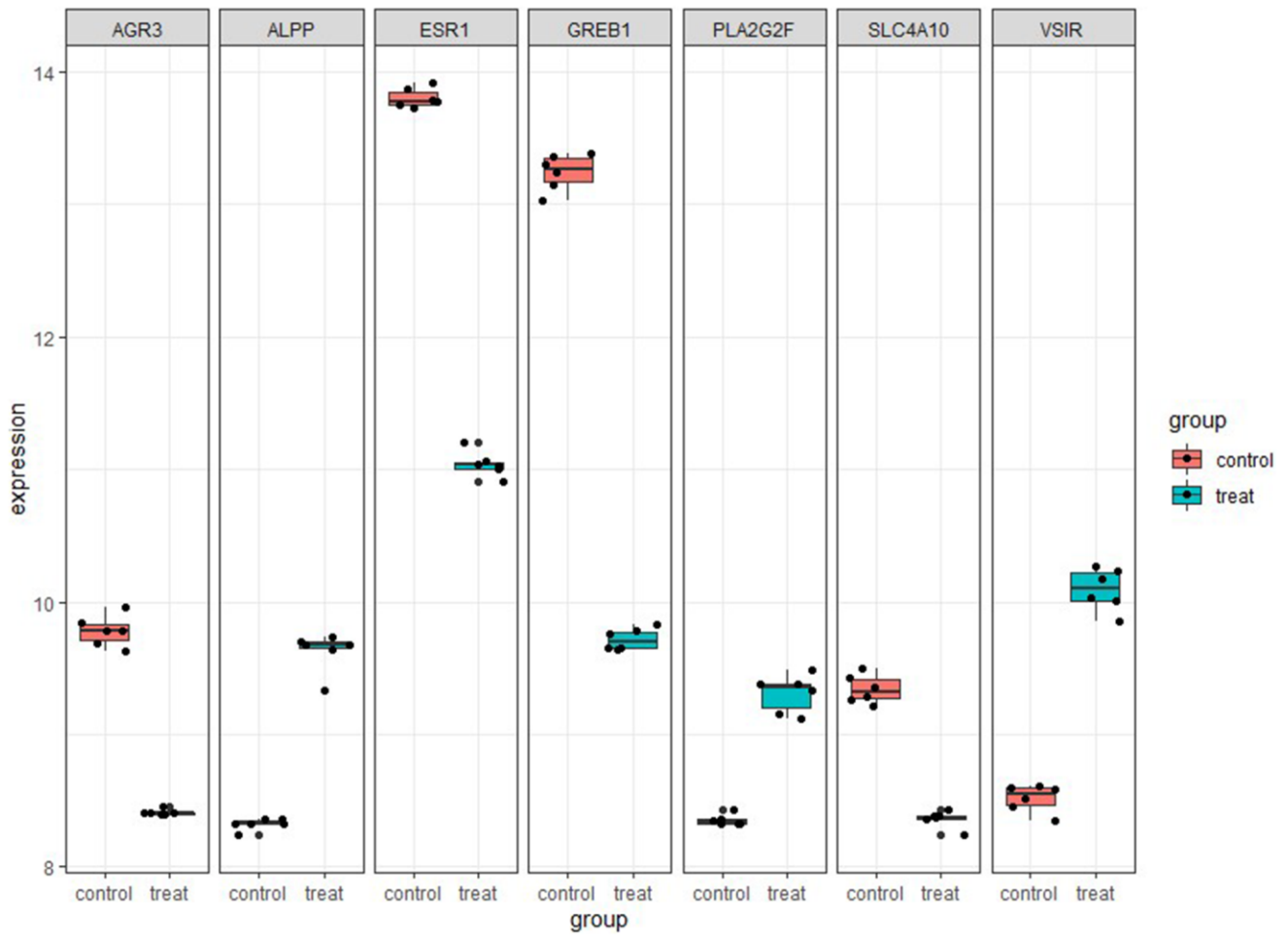


SUPPLEMENTARY FIGURES

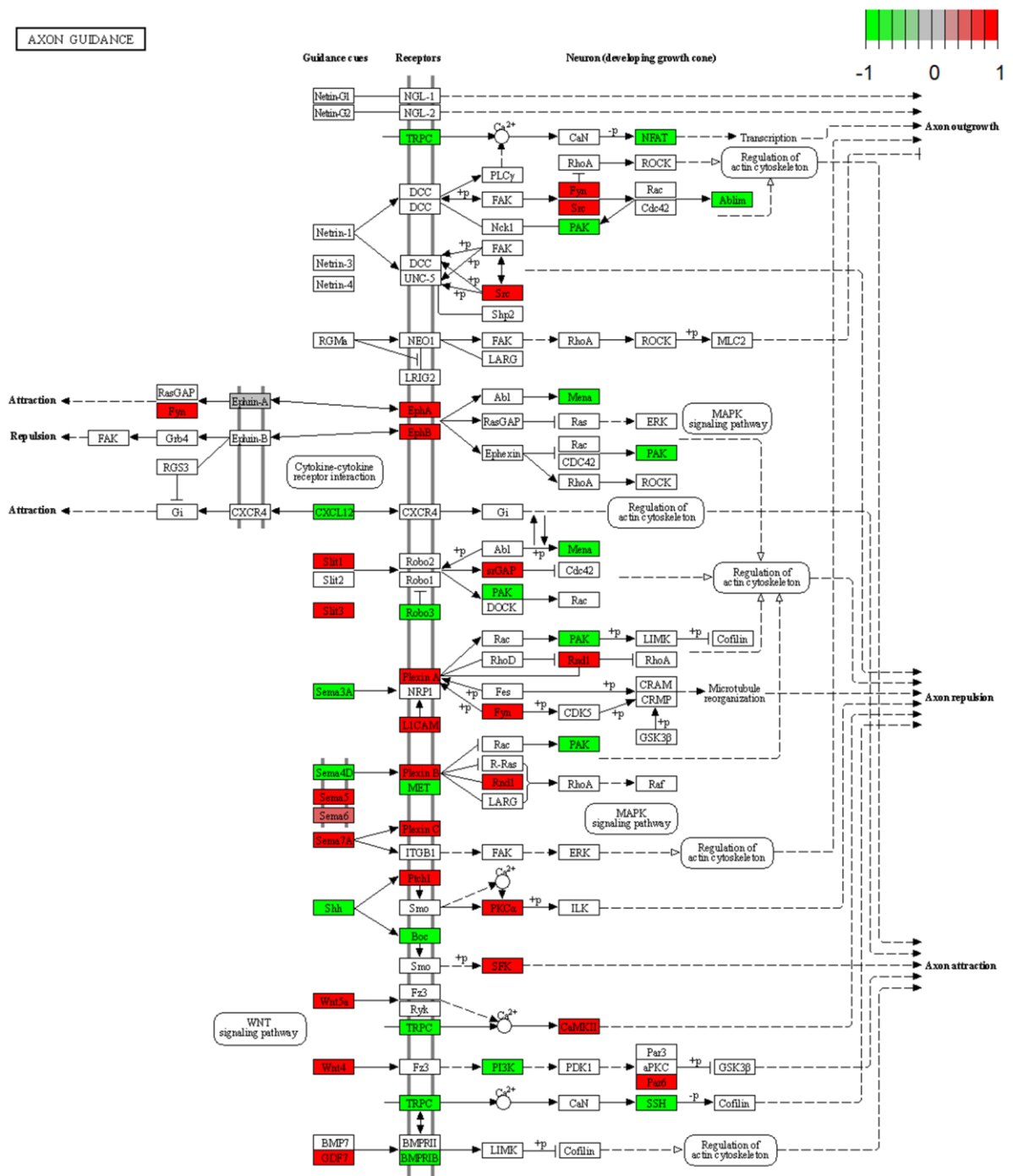


Supplementary Figure 1. LogFC correction of DEGs from the dataset siESR1 of GSE153250.



Supplementary Figure 2. The expression of selected DEGs from the dataset siESR1 of GSE153250.

AXON GUIDANCE



Data on KEGG graph
Rendered by Pathview

Supplementary Figure 3. KEGG pathways of hsa04360 based on the analysis on GSE153250.