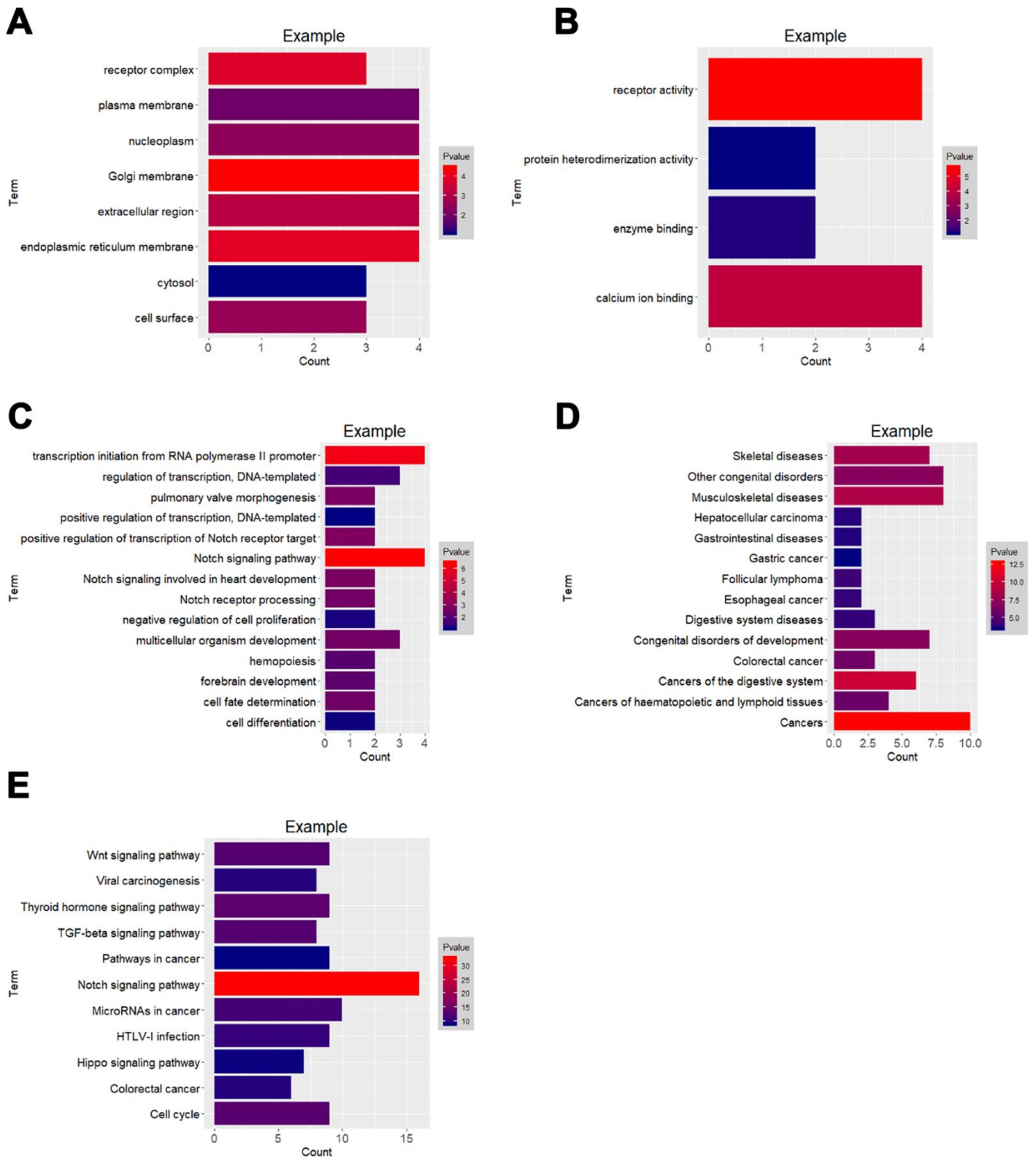
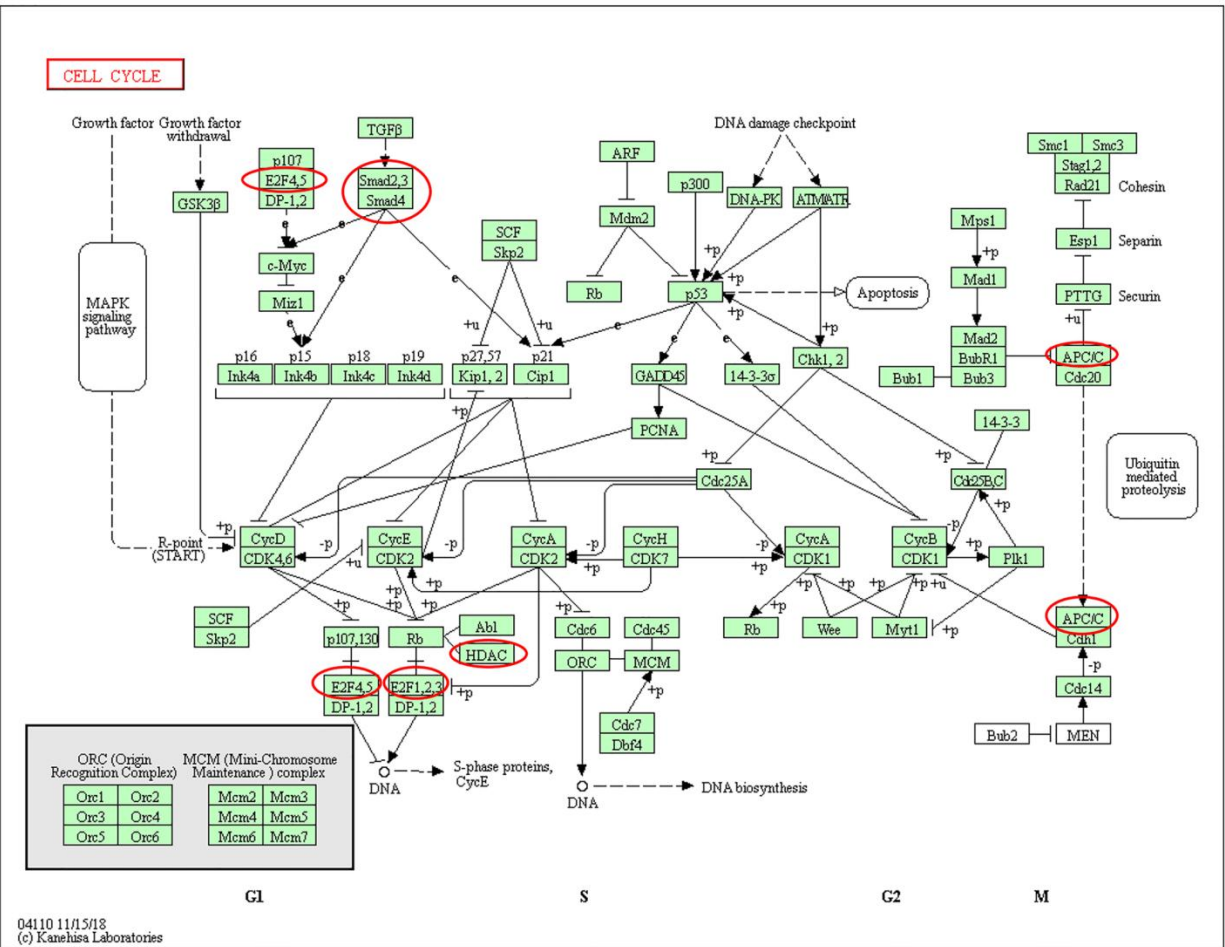
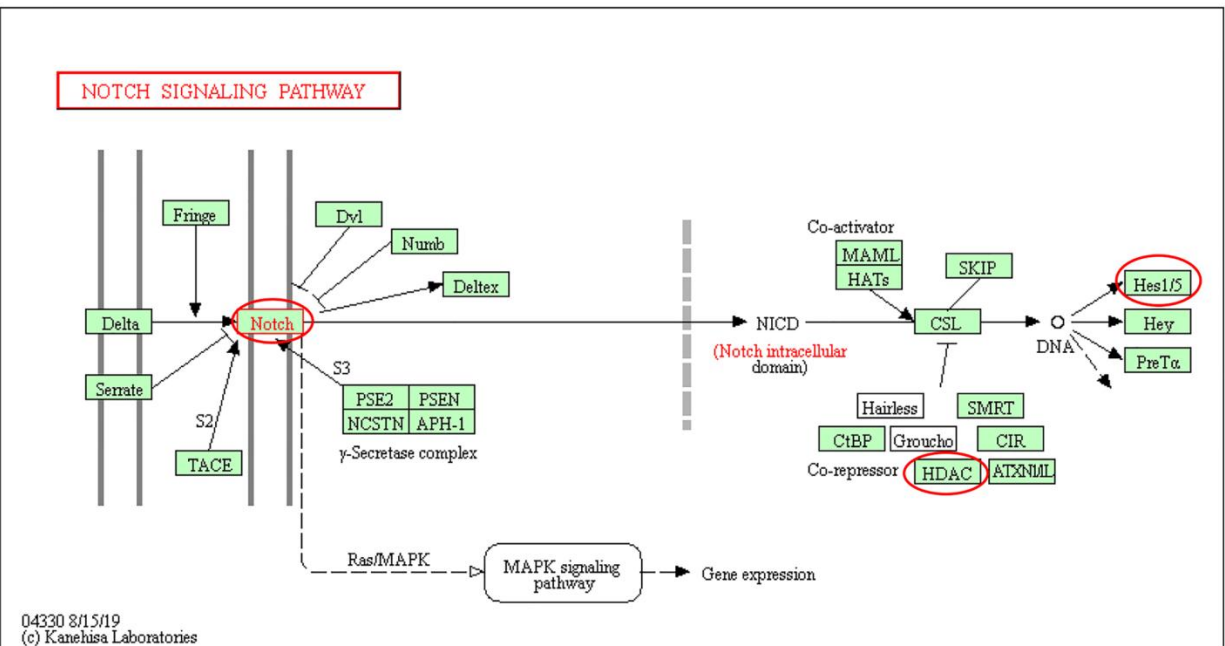


SUPPLEMENTARY FIGURES



Supplementary Figure 1. The functions of Notch and genes significant associated with Notch alterations were predicted. (A) Cellular components. (B) Biological processes. (C) Molecular functions. (D) KEGG disease. (E) KEGG pathway.

A**B**

Supplementary Figure 2. Cell cycle and Notch signaling pathway regulated by the Notch alteration in GC. The (A) cell cycle and (B) Notch signaling pathway regulated by the Notch alteration in GC (cBioPortal) are shown.